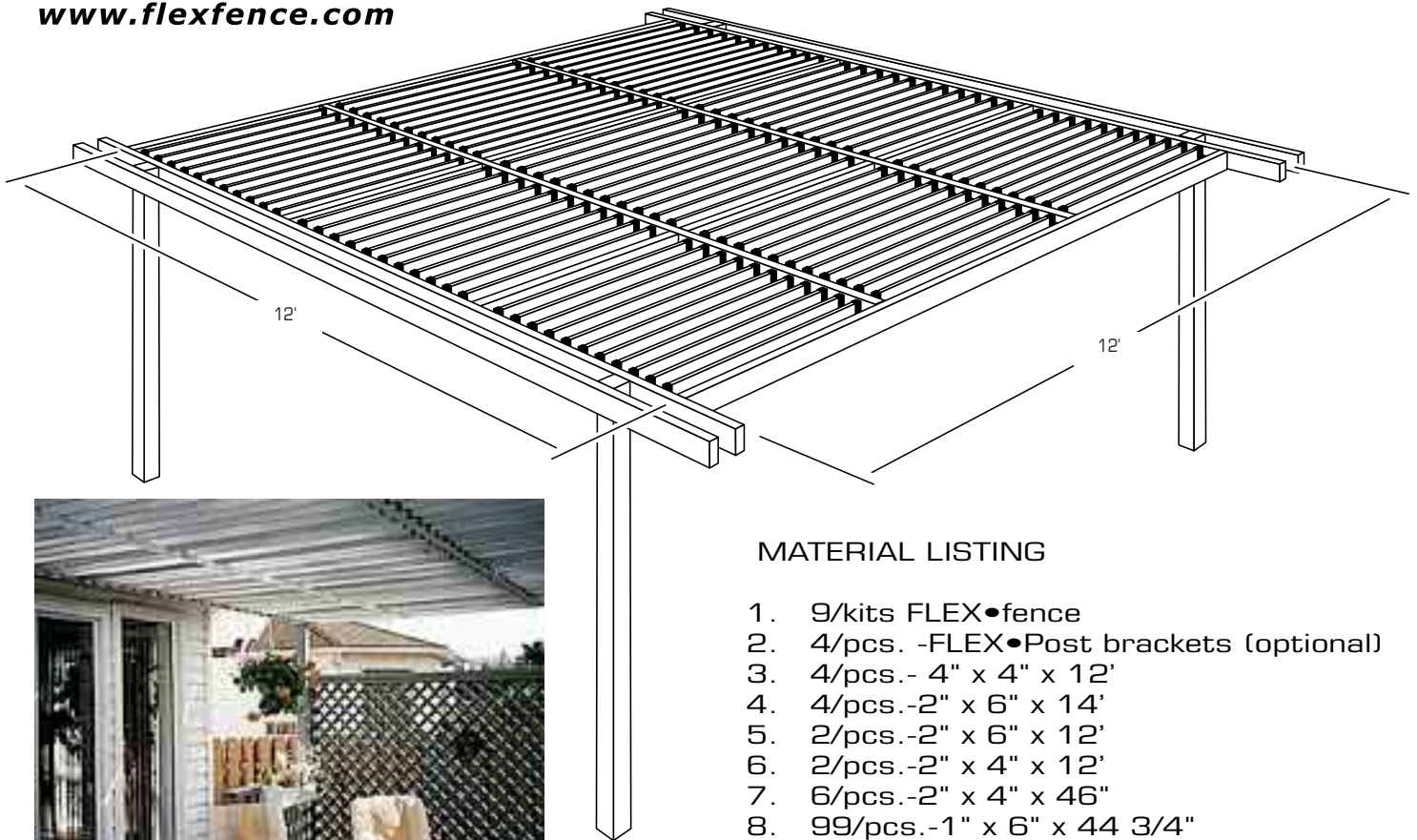


Fully Louvered Pergola



MATERIAL LISTING

1. 9/kits FLEX•fence
2. 4/pcs. -FLEX•Post brackets (optional)
3. 4/pcs.- 4" x 4" x 12'
4. 4/pcs.-2" x 6" x 14'
5. 2/pcs.-2" x 6" x 12'
6. 2/pcs.-2" x 4" x 12'
7. 6/pcs.-2" x 4" x 46"
8. 99/pcs.-1" x 6" x 44 3/4"
9. 56/pcs. - #8-2" wood screws
10. 1" finishing nails
11. 18/pcs. - 3/16th x 1 3/4" machine eyebolts with appropriate nuts, washers and t-nuts
12. 18/pcs -Rope or dowels with hooks to operate the louvers
13. Exterior grade carpenter's glue

OPTIONAL TOOLS

- * Drill with appropriate bits & counter sink bit
- * Router with decorative bits
- * Power saws - Mitre & Skill

TOOLS REQUIRED

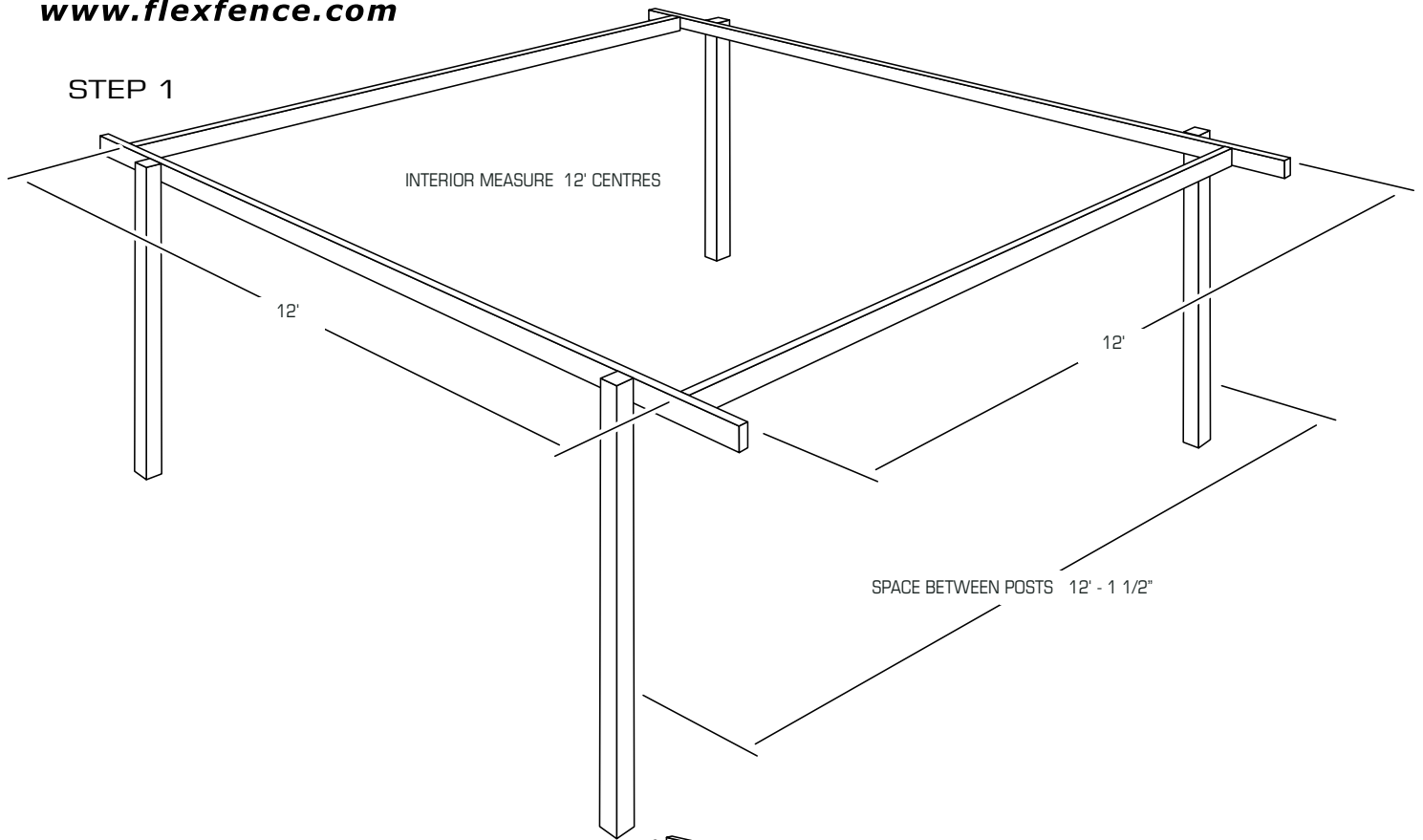
1. Pencil
2. Measuring Tape
3. #1 Robertson Screw Driver-Green Handle or (Philips Screw Driver)
4. #2 Robertson Screw Drive-Red Handle (Philips -Screw Driver)
5. Hand Saw
6. Hammer
7. Chissel
8. Combination Square
9. Protective Eyewear
10. Level



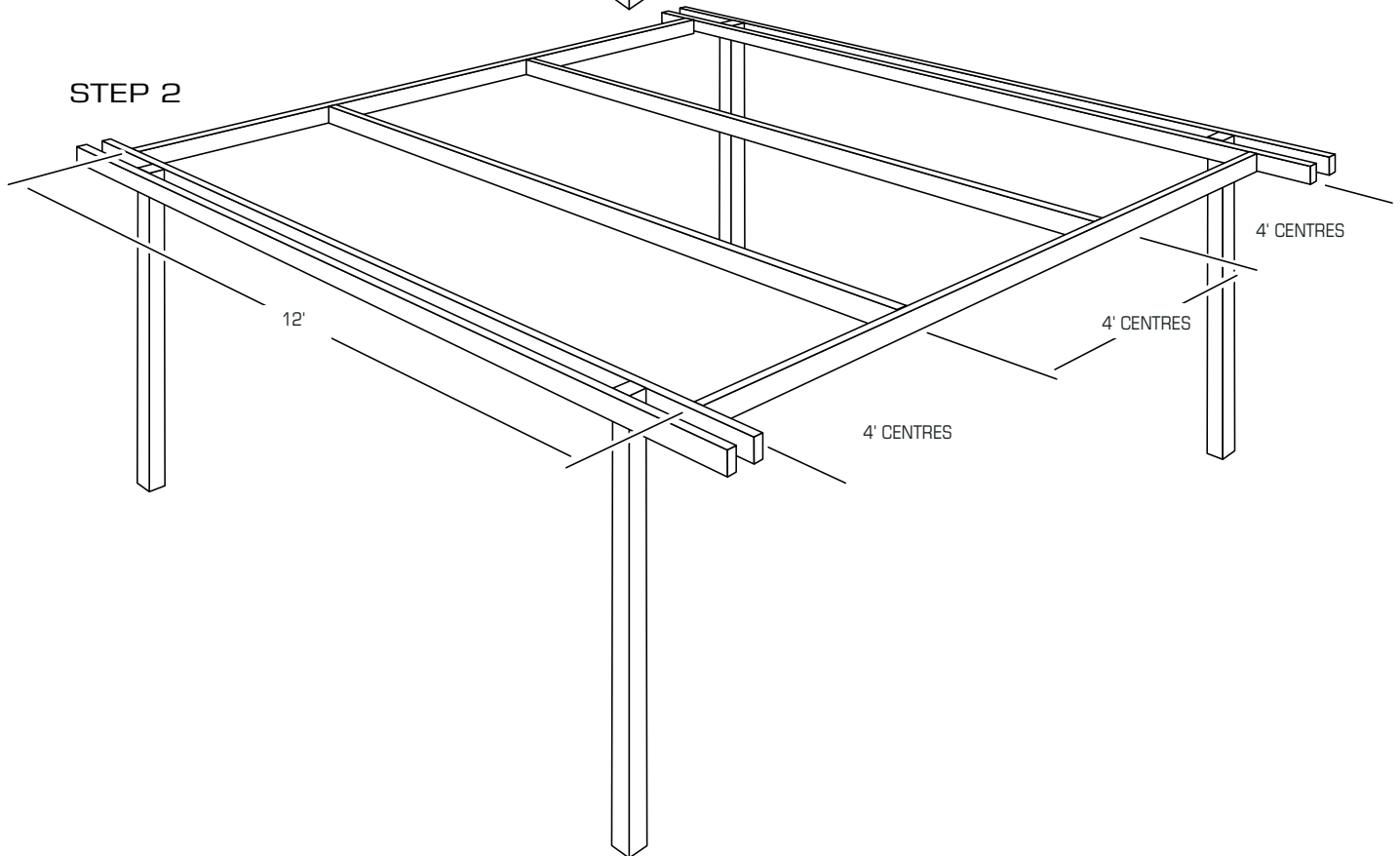
Fully Louvered Pergola

www.flexfence.com

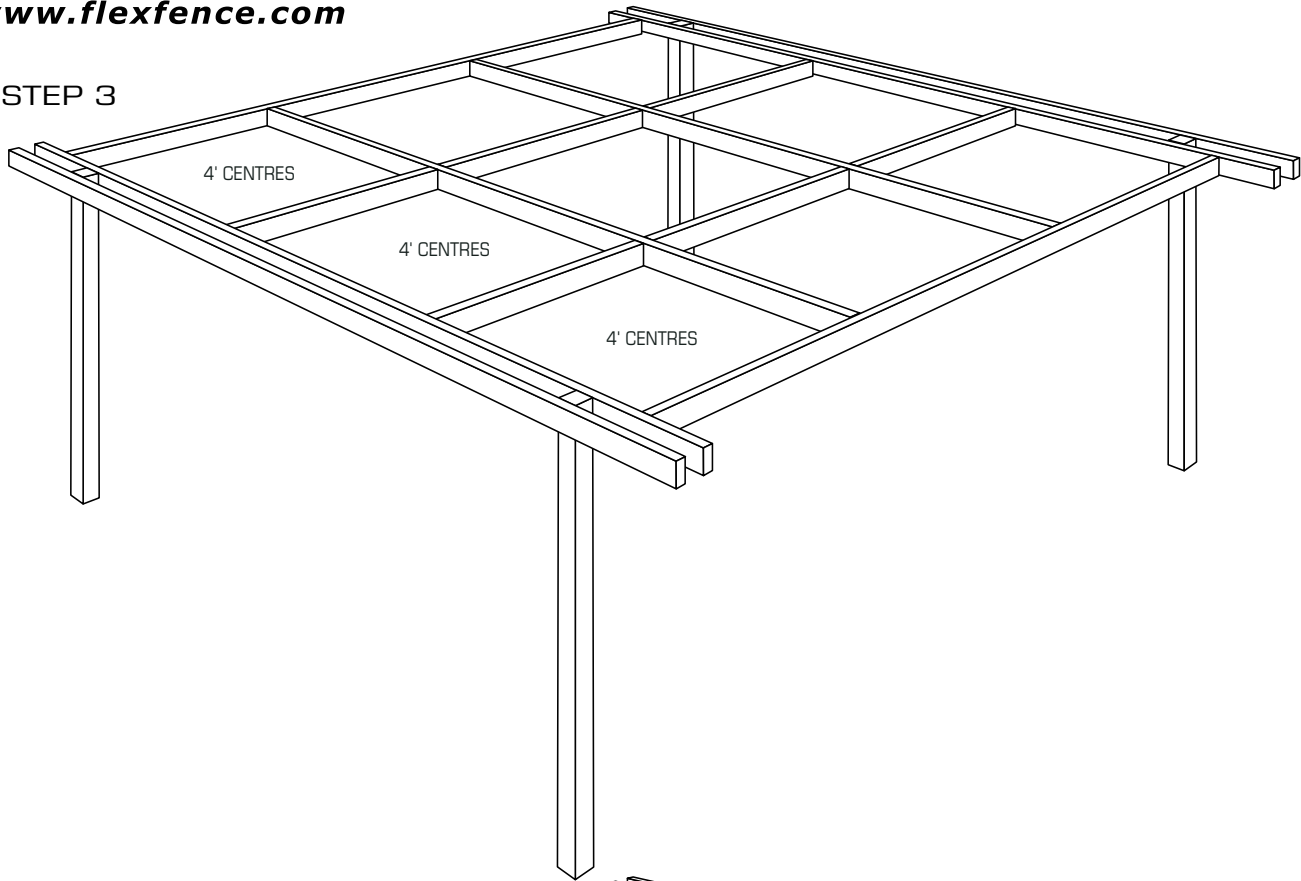
STEP 1



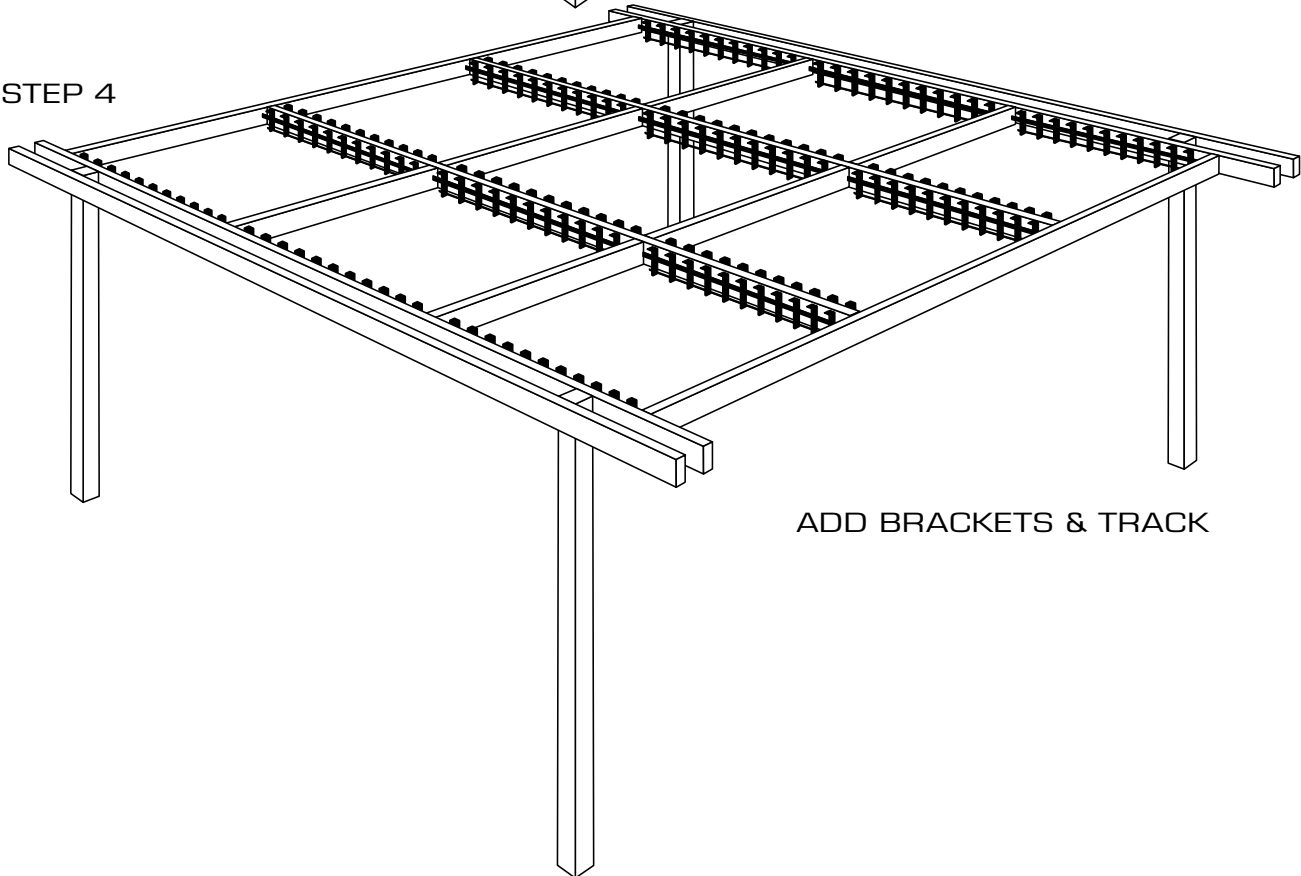
STEP 2



STEP 3



STEP 4



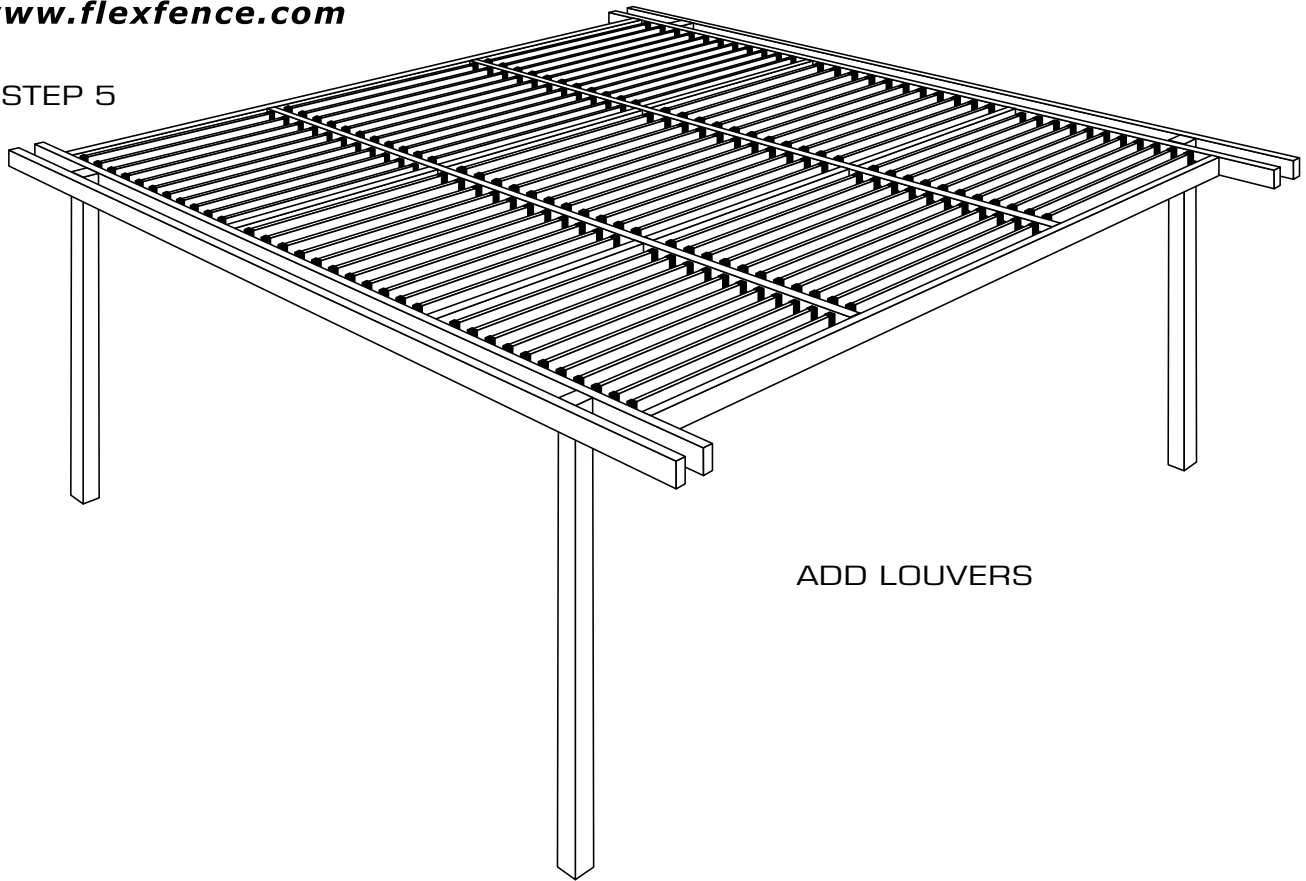
ADD BRACKETS & TRACK



Fully Louvered Pergola

www.flexfence.com

STEP 5



ADD LOUVERS