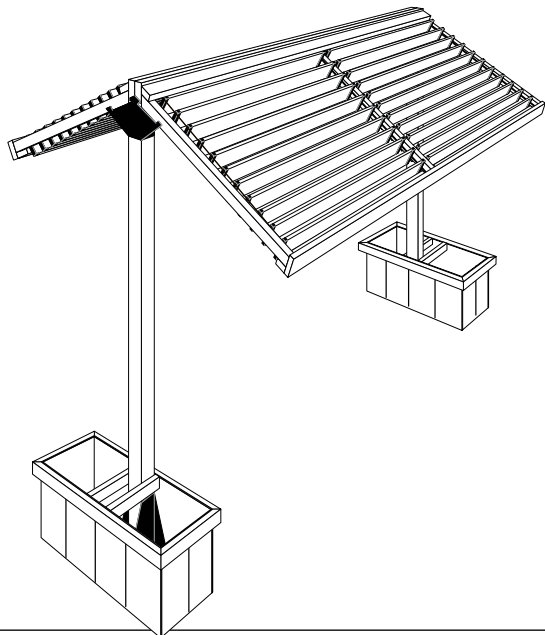
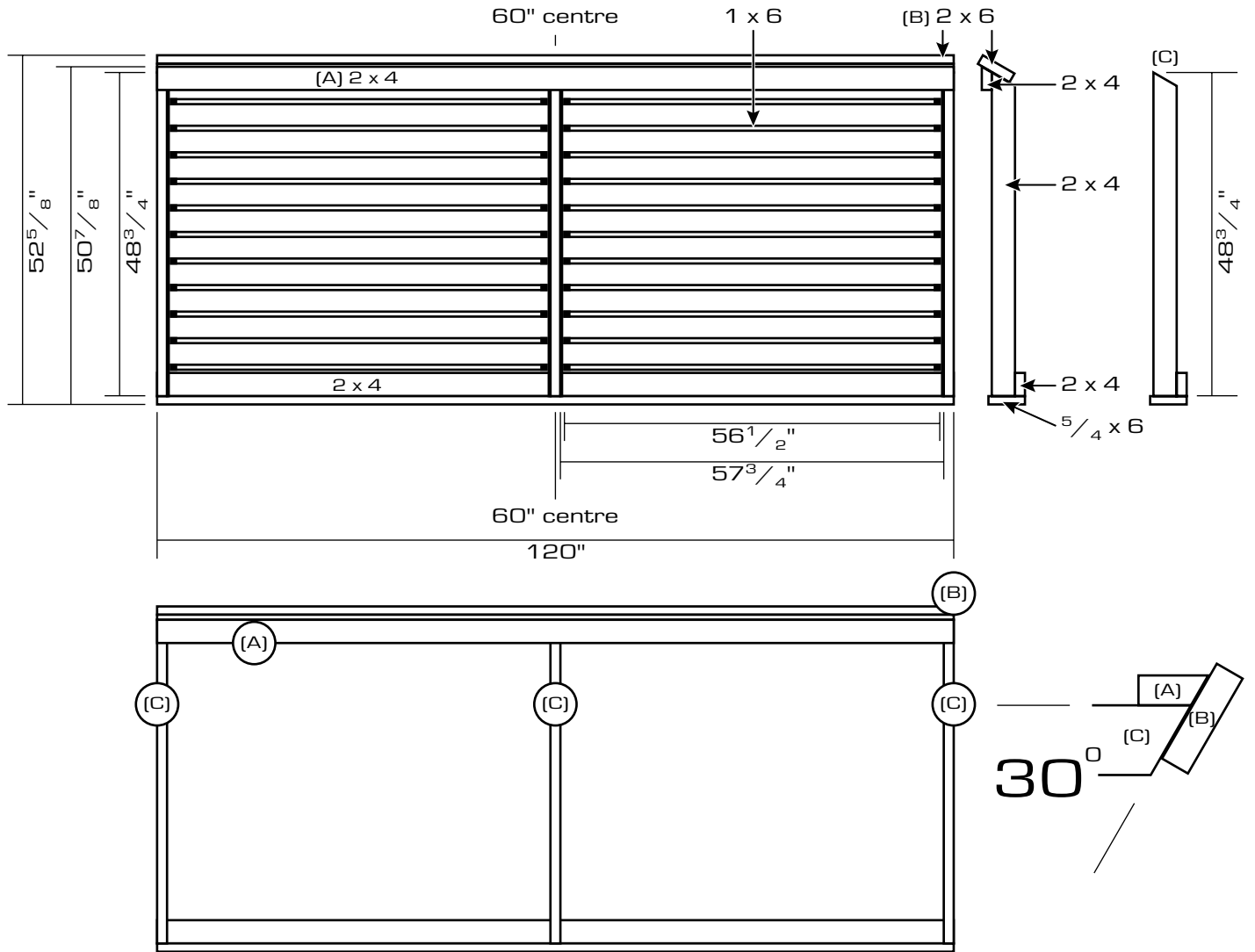
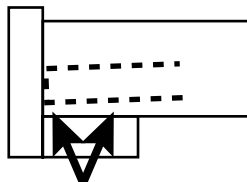
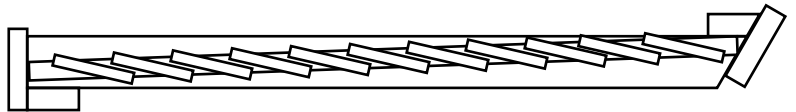


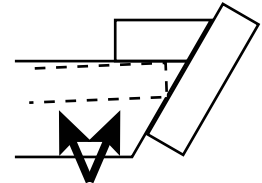
# Roof Section Plan



**TIP:**



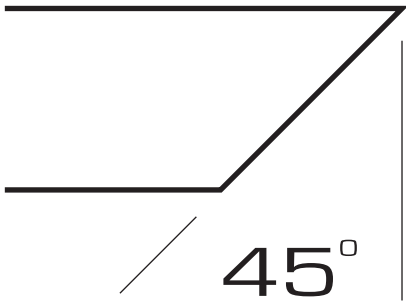
Use a small piece of 1 x 6 to raise this end of the track.



Position other end of track as indicated.

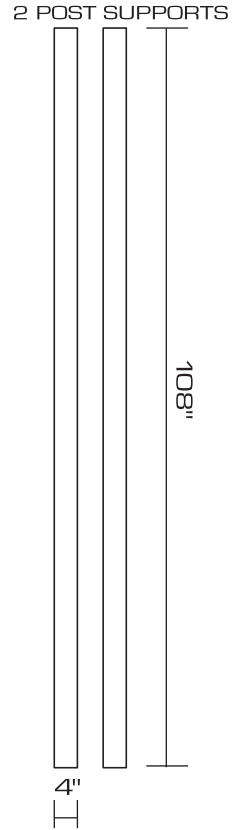
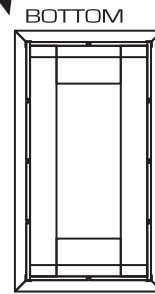
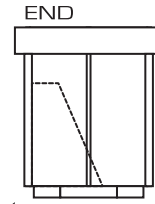
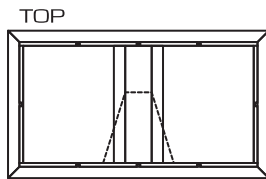
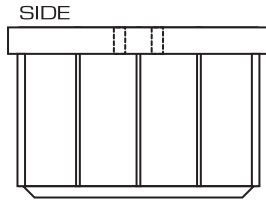
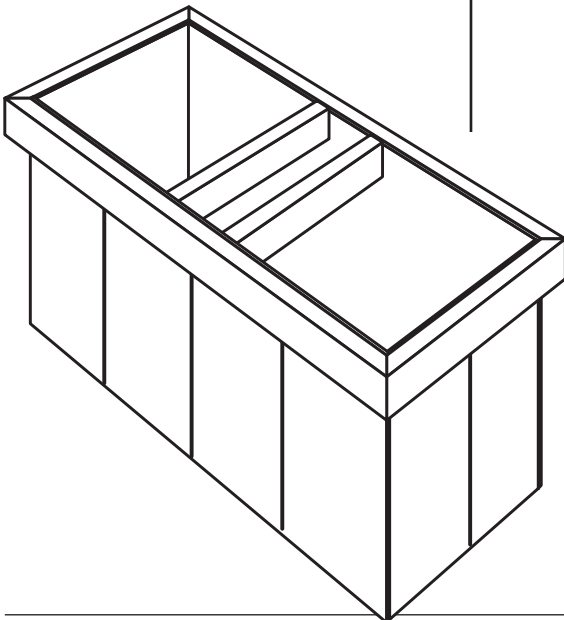
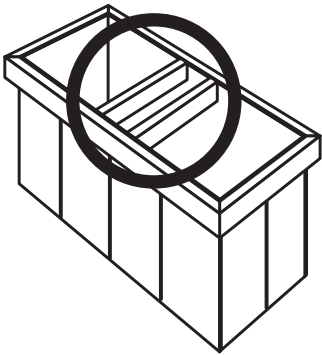
It will help with the control arm assembly later.

## Planter Box Plan

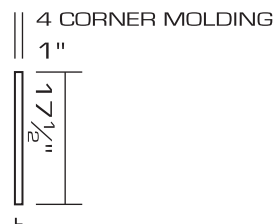
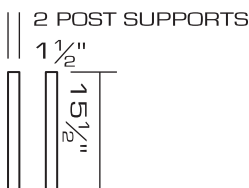
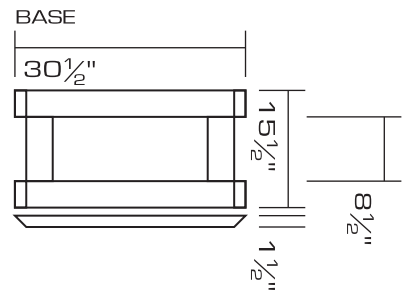
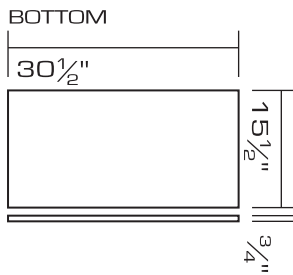
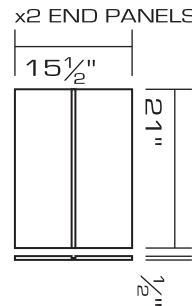
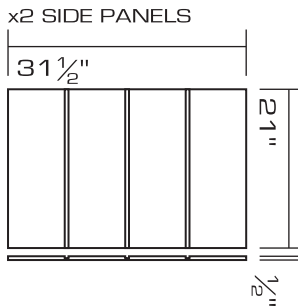
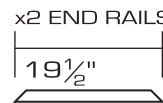
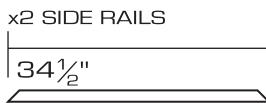


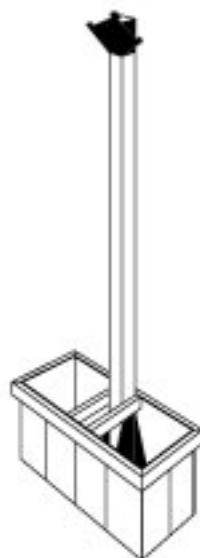
ALL angle cuts are the same.

Install Post Supports after the steel base and post have been positioned properly.



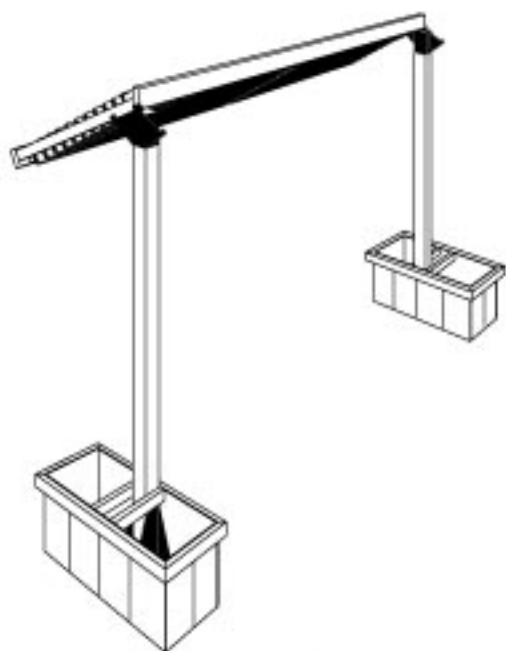
Correct position for steel base.





**Step1**

**Step2**



**Step3**

**Step4**



**Step5**